

# Drymec

## MECHANICAL ZERO LOSS AUTO DRAIN

Model SCG 20 float operated drain trap is an effective, low cost method of draining compressed air condensate.

1/2" connections

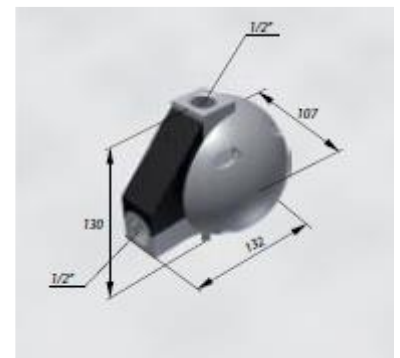
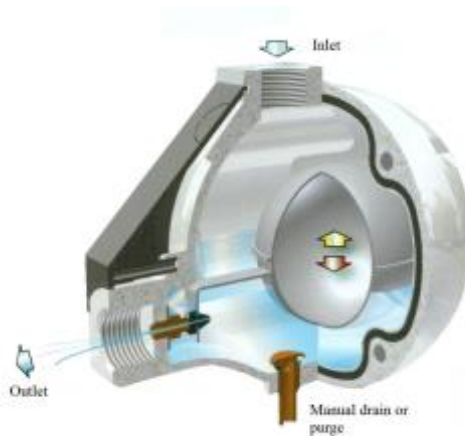
20 bar working pressure

Requires no electrical power

Does not waste compressed air

Integral manual purge valve for in line cleaning

Ideal for oil water separators



DRYMEC Ltd.  
Unit 4R Bramhall Moor Technology Park  
Pepper Road  
Hazel Grove  
Stockport SK7 5BW

Tel 0161 487 4747  
Fax 0161 487 3778  
[www.drymec.com](http://www.drymec.com)  
[sales@drymec.com](mailto:sales@drymec.com)