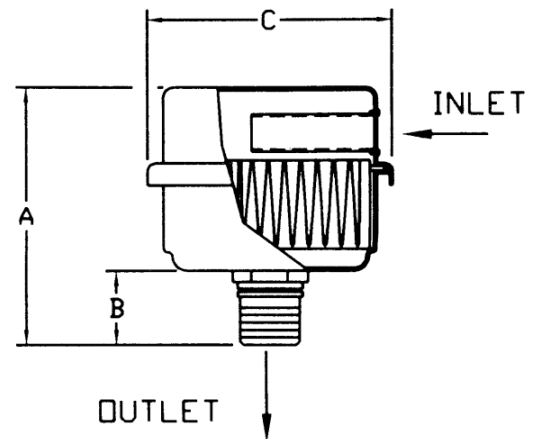


Drymec

Air compressor inlet filter silencers



Technical data – Paper element

Model	Outlet BSP	Dimensions mm			Rated flow m ³ /hr (cfm)	
		A	B	C	Piston	Screw
DM-04-025	1/4"	70	16	64	7 (4)	7 (4)
DM-06-038	3/8"	90	16	83	14 (8)	14 (8)
DM-06-050	1/2"	97	22	83	17 (10)	20 (12)
DM-10-050	1/2"	105	22	105	17 (10)	20 (12)
DM-10-075	3/4"	114	32	105	34 (20)	43 (25)
DM-10-100	1"	114	32	105	43 (25)	60 (35)
DM-18P-126	1 1/4"	168	41	152	94 (55)	119 (70)
DM-18P-151	1 1/2"	168	41	152	119 (70)	145 (85)
DM-30P-201	2"	184	57	254	145 (85)	230 (135)

DRYMEC Ltd.
 Unit 4R Bramhall Moor Technology Park
 Pepper Road
 Hazel Grove
 Stockport SK7 5BW

Tel 0161 487 4747
 Fax 0161 487 3778
www.drymec.com
sales@drymec.com