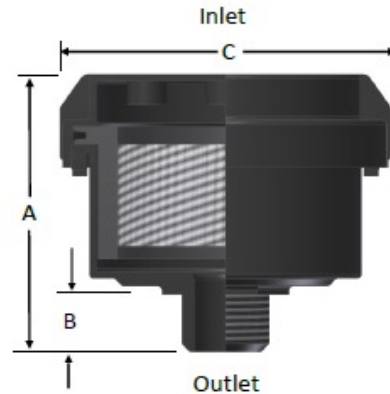


Drymec

Air compressor inlet filter silencers – plastic casings



Easy snap-on design for quick servicing

Durable glass reinforced nylon housing

Technical data – Paper element

Temperature (continuous) min. max.
Filter change differential
Paper efficiency

-26 to 104° C
37 – 50 mbar over initial ΔP
99 % + to 2 micron

Model	Outlet BSP	Dimensions mm			Rated flow m ³ /hr (cfm)
		A	B	C	
DMP-02-013	1/8"	44	11	44	5 (3)
DMP-02-025	1/4"	44	11	44	5 (3)
DMP-04-025	1/4"	54	12	67	7 (4)
DMP-04-038	3/8"	55	10	67	10 (6)
DMP-04-050	1/2"	57	13	67	10 (6)
DMP-06-050	1/2"	79	18	83	17 (10)
DMP-10-050	1/2"	83	18	106	20 (11)
DMP-06-075	3/4"	89	25	83	20 (11)
DMP-10-075	3/4"	89	25	105	34 (20)
DMP-10-100	1"	89	25	105	60 (35)

Note : Thread connection on 1/2" units and above will be metal.

March 2016

DRYMEC Ltd.
Unit 4R Bramhall Moor Technology Park
Pepper Road
Hazel Grove
Stockport SK7 5BW

Tel 0161 487 4747
Fax 0161 487 3778
www.drymec.com
sales@drymec.com